



## 0-10V Rotary Dimmers

### INSTALLATION INSTRUCTIONS

Current sinking rotary dimmers for the control of 0-10V or 1-10V dimmable lighting drive units, such as drives for LEDs and fluorescents. The 0-10V rotary controls combine signal dimming and push on/off switching in a single device.

Connect to dimmable lighting drives via the Lutron 'PP-DV' Power Pack, or similar power supply/relay products. Suitable for single pole, 3-way or 4-way installations (the dimmer can only be connected at one position).

Connections to dimmer (Class 2): 2-wires for dimming 0-10V signal direct to lighting drives plus 2-wires for switching (single pole installation) or 3-wires for switching (3-way/4-way installation).

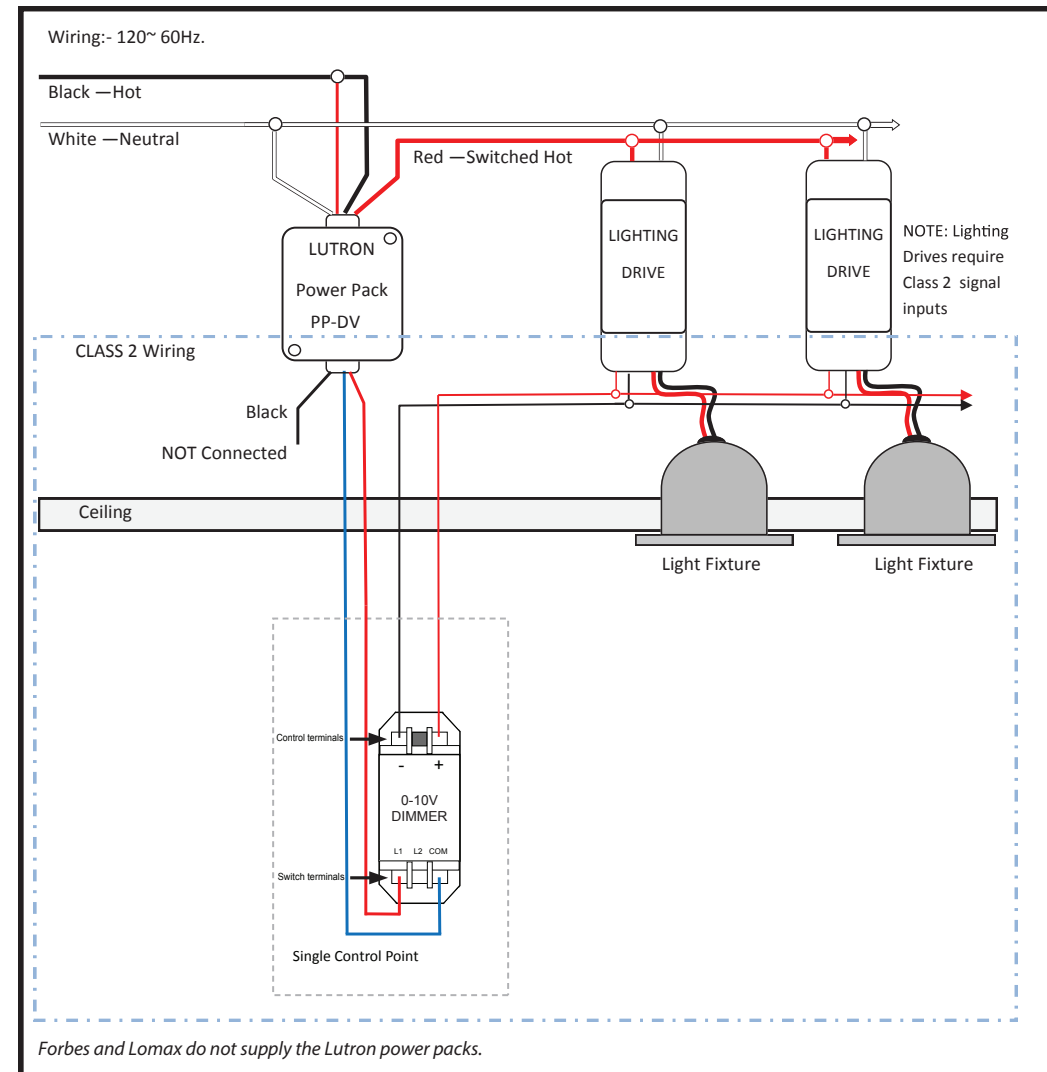
*All connections to dimmer must be Class 2. To be installed by a certified electrician or other qualified person. To be installed and/or used in accordance with appropriate electrical codes and regulations. For instructions regarding wall box installation and wall plate assembly refer to the 'Instructions for Electricians and Decorators' information sheet. Please retain these instructions and leave a copy with the client for future reference.*

**WARNING** To prevent shock or electrocution, always turn the power OFF at the service panel before installing this unit, working on the circuit, or changing a lamp.



## 0-10V DIMMER

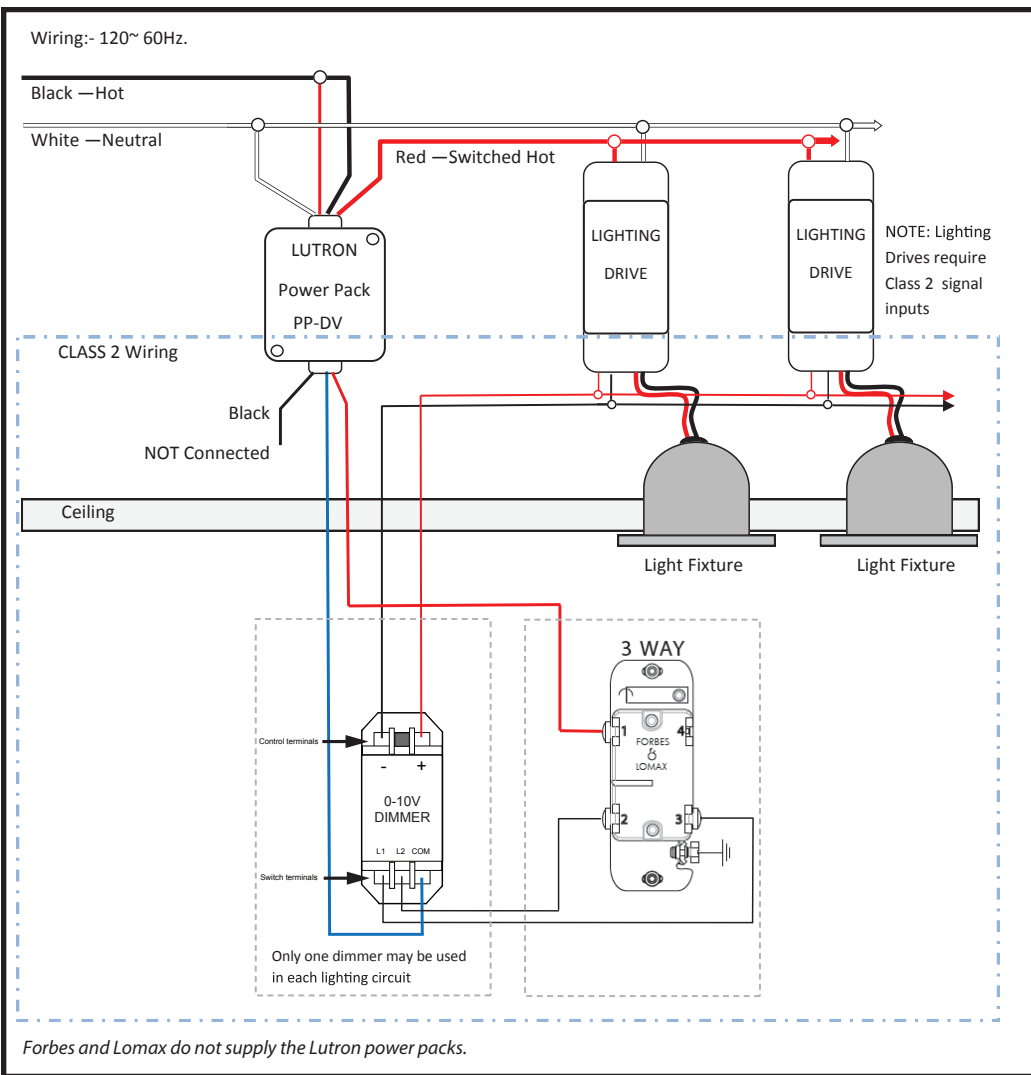
### SINGLE POLE INSTALLATION WIRING





### 0-10V DIMMER

#### 3 WAY INSTALLATION WIRING



### 0-10V DIMMER

#### 4 WAY INSTALLATION WIRING

