



2AMP & 5AMP SOCKET OUTLETS

Standards and Approvals

Conforms to BS 546

Description:

Our 2amp and 5amp socket outlets can be used for lighting circuits that demand low amperages.

Features:

- Top access terminals making wiring easier and quicker
- Shutter safety feature
- Terminal marking present on socket housing for clearer identification
- Black and white housings available to complement plate finishes
- Automatic primary switching on insertion of plug

Finishes:

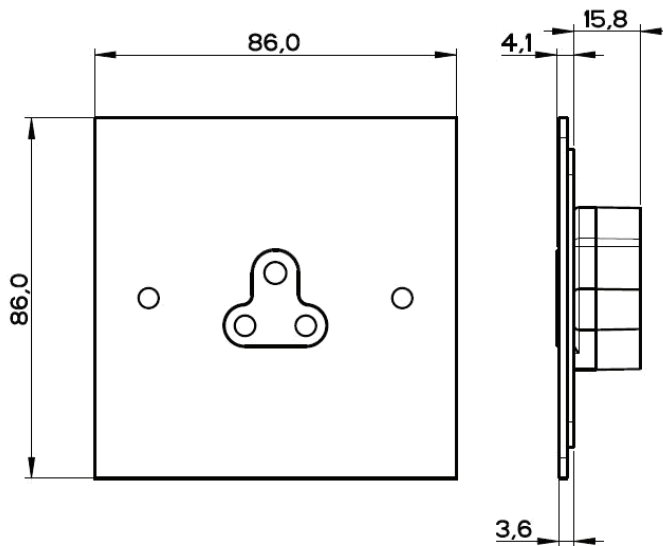
All 2amp and 5amp sockets are available with our complete range of plate finishes: Unlacquered Brass, Antique Bronze, Stainless Steel, Polished Nickel, Perspex and Painted.

Sockets inserts are available in black and white.



2AMP & 5AMP SOCKET OUTLETS

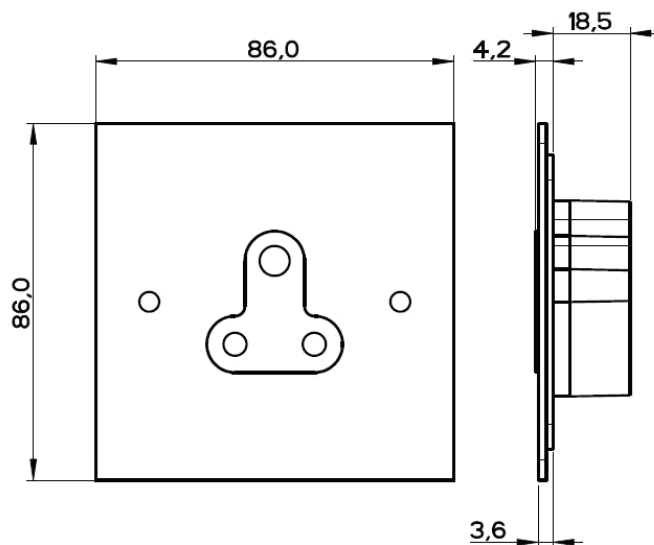
Technical Specification		
Supply Voltage:	250V AC	
Terminal Capacities:	2 AMP Socket	5 AMP Socket
	Live, Neutral & Earth	Live, Neutral & Earth
	1 x 2.5 mm ²	1 x 2.5 mm ²
	2 x 2.0 mm ²	2 x 2.0 mm ²
	2 x 1.5 mm ²	2 x 1.5 mm ²
	4 x 1.0 mm ²	4 x 1.0 mm ²
Ambient Operating Temperature:	-5°C to +40°C	
IP Rating:	IP2XD	
Max Installation Altitude:	2000 meters	



2amp Round Pin Socket Outlet

Depth:
2amp Socket – 16mm

Recommended Box Depth:
2Amp Round Pin Socket - 35mm
Box
Metal boxes to BS4662



5amp Round Pin Socket Outlet

Depth:
5amp Socket – 19mm

Recommended Box Depth:
5Amp Round Pin Socket – 35mm Box
Metal boxes to BS4662