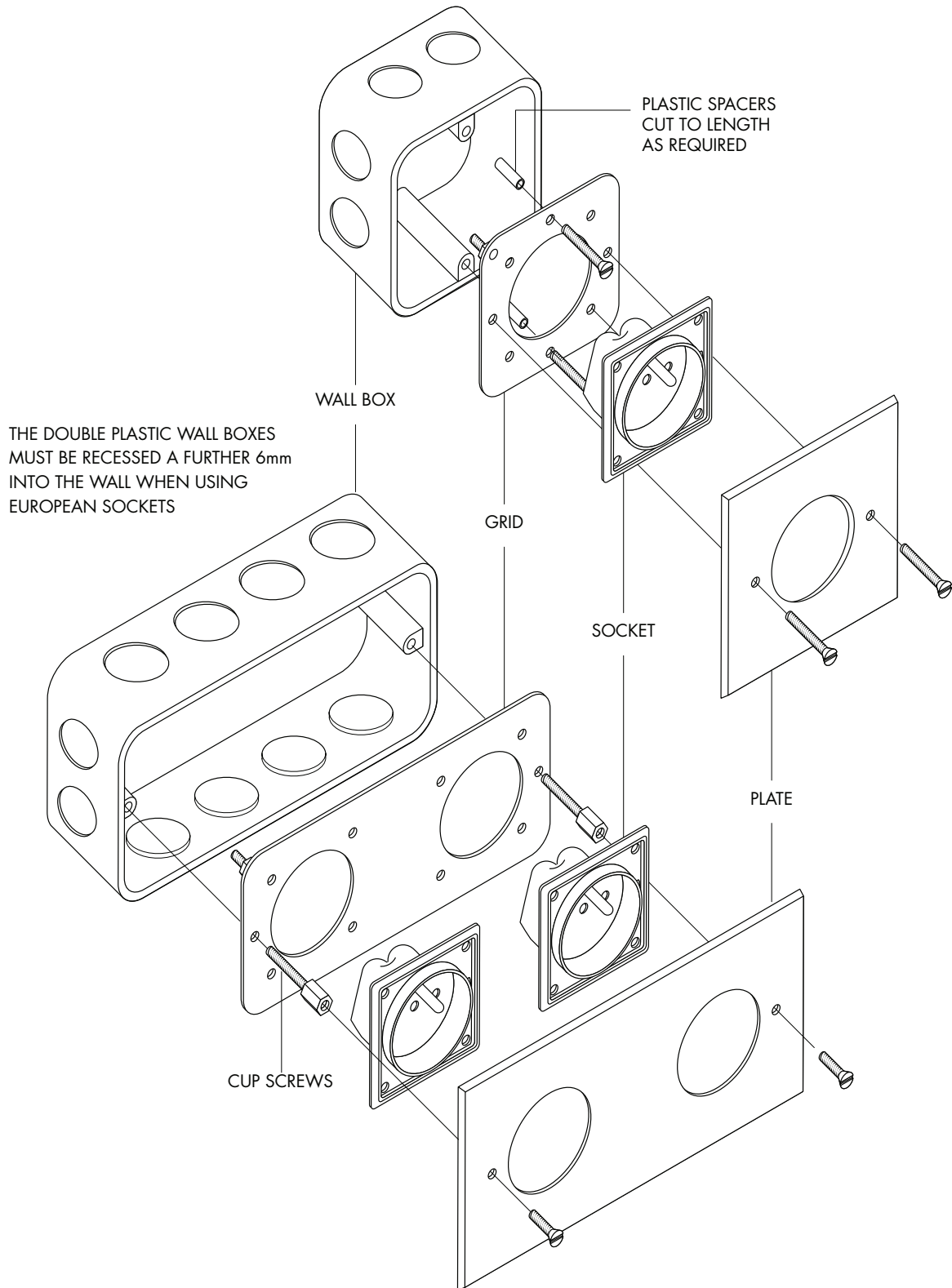


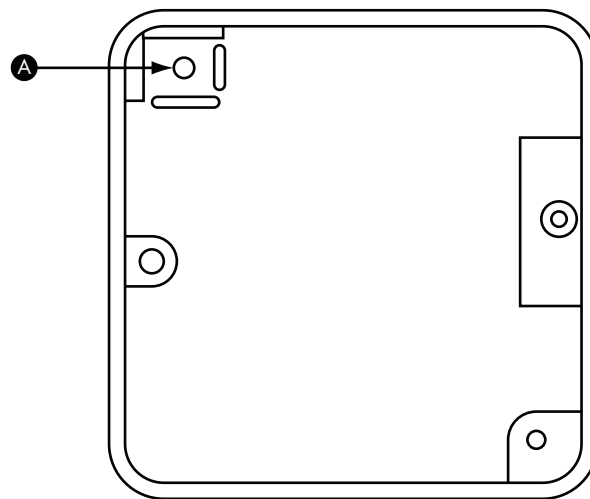


FITTING INSTRUCTIONS FOR EUROPEAN SOCKETS

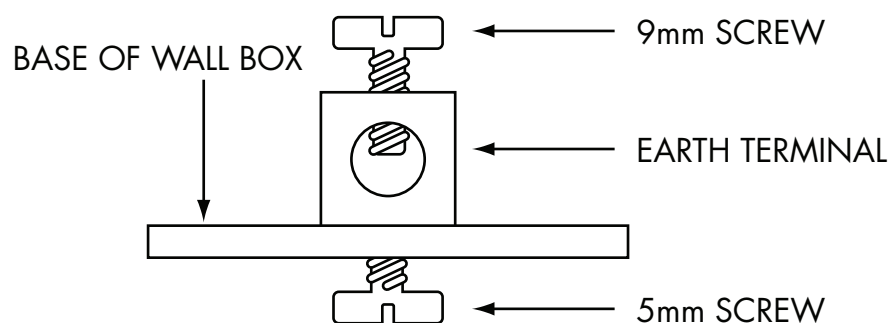


INSTRUCTIONS FOR FITTING EARTH TERMINAL INTO PLASTIC

1. Drill 4mm hole through the centre of enclosure (A) in the bottom of the plastic box



2. Place earth terminal in enclosure
3. Screw separate 5mm screw into base of earth terminal through the bottom of the box to secure it in place



4. Connect earth terminal in normal way