

Type F (Schuko) Socket

Standards, Approvals & Directives

IEC 60884-1

Description:

16 amp Schuko Type F sockets available as single or double.

Finishes:

Sockets are available with our complete range of plate finishes: Unlacquered Brass, Antique Bronze, Stainless Steel, Polished Nickel, Verdigris, Perspex and painted.

Socket inserts are available in black and white.

Technical Specifications:

Minimum wall box depth: 35mm (requires British back box) Must be recessed 6mm into the wall.

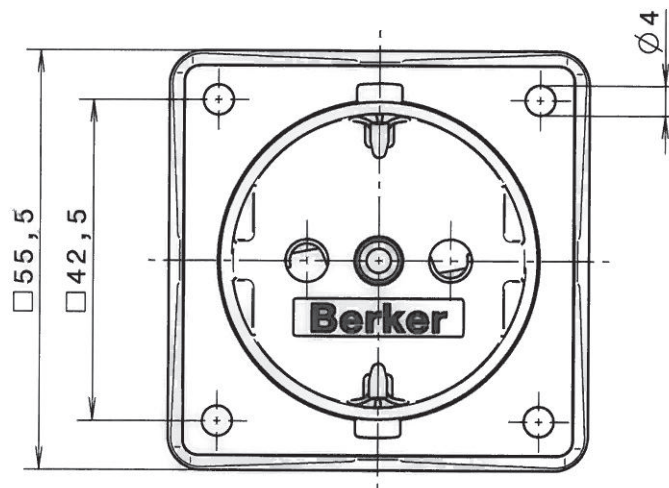
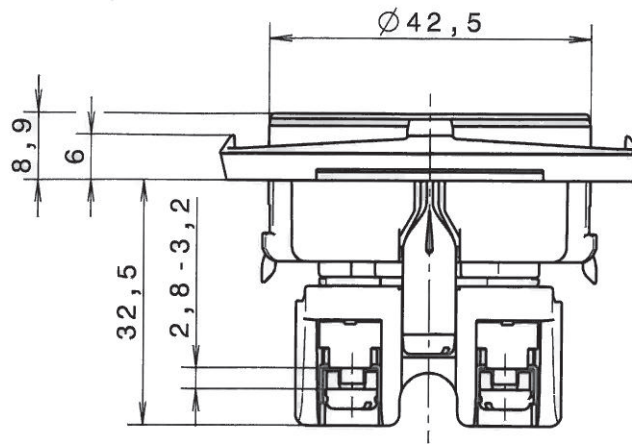
Current rating: 20VA

Voltage: 220/250V AC

Max load: 200/250V input; 115/230V 20VA output



Type G (Schuko Socket)



Einbauausschnitt
 $\text{Ø}46$ oder $\text{Ø}50$ nach Einbaudose

