



Type E (French) Socket

Standards, Approvals & Directives

NF C 61-314-2008

Description:

16 amp French Type C sockets available as single or double.

Finishes:

Sockets are available with our complete range of plate finishes: Unlacquered Brass, Antique Bronze, Aged Brass, Brushed Brass, Stainless Steel, Polished Nickel, Verdigris, Perspex and painted.

Socket inserts are available in black and white.

Technical Specifications:

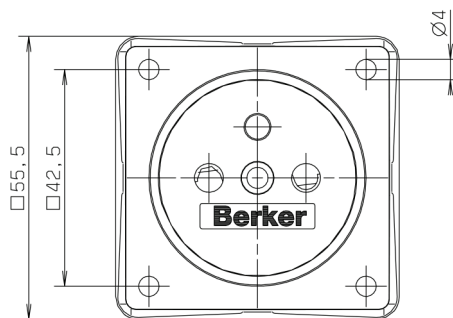
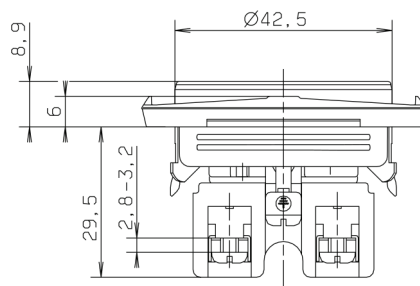
Minimum wall box depth: 35mm (requires British back box) Must be recessed 6mm into the wall.

Current rating: 20VA

Voltage: 220/250V AC

Max load: 200/250V input; 115/230V 20VA output

Type E (French Socket)



Einbauausschnitt
 $\varnothing 46$ oder $\varnothing 50$ nach Einbaudose

