

Type J (Swiss) Socket

Standards, Approvals & Directives

IEC 60884-1(ed. 3.1)2002
SEV 1011:2009

Description:

16 amp Type J sockets available as single or double.

Finishes:

Sockets are available with our complete range of plate finishes: Unlacquered Brass, Antique Bronze, Aged Brass, Brushed Brass, Stainless Steel, Polished Nickel, Verdigris, Perspex and painted.

Socket inserts are available in black and white.

Technical Specifications:

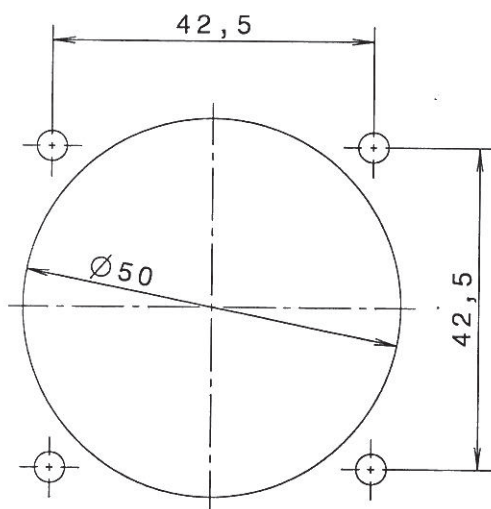
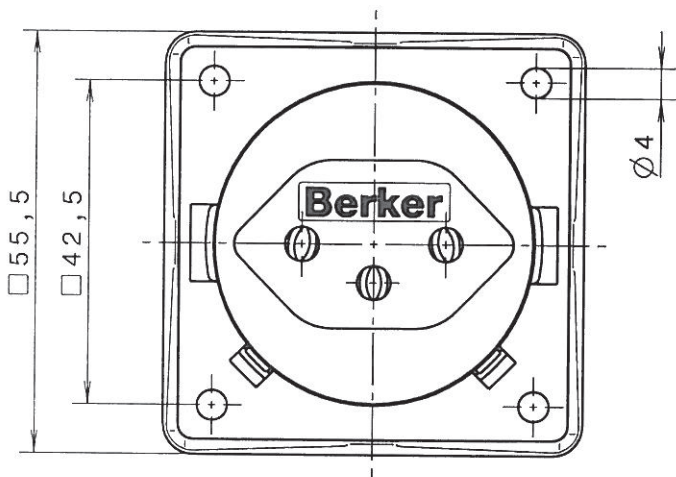
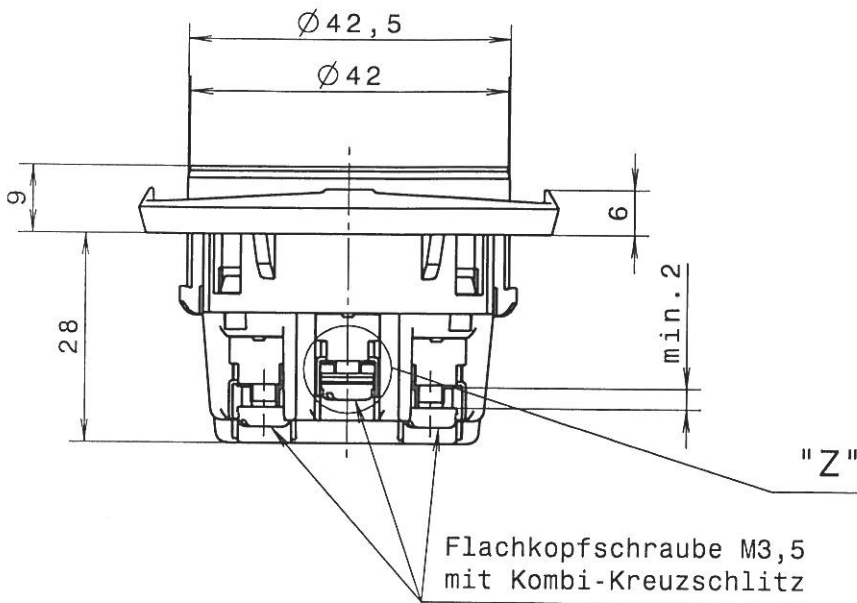
Minimum wall box depth: 35mm (requires British back box) Must be recessed 6mm into the wall. Current rating: 20VA

Voltage: 220/250V AC

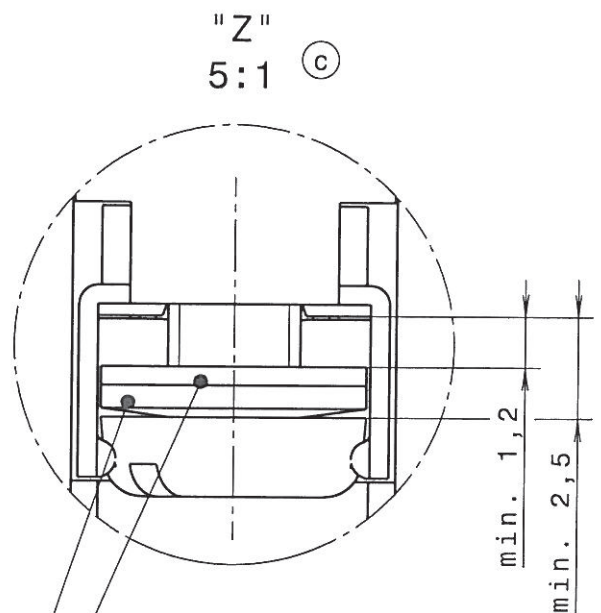
Max load: 200/250V input; 115/230V 20VA output



Type J (Swiss Socket)



$\varnothing 50$ nach Berührungsschutzdose
Einbauausschnitt



Spannscheibe und Scheibe müssen nach Vorgabe der SEV-Prüfstelle bei der PE-Verschraubung vorhanden sein.