



205A St John's Hill, London, SW11 1TH  
 +44 (0) 20 7738 0202 | [sales@forbesandlomax.com](mailto:sales@forbesandlomax.com) | [www.forbesandlomax.com](http://www.forbesandlomax.com)

### 2amp and 5amp Sockets

Our 2amp and 5amp sockets can be used for lighting circuits that demand low amperages. These sockets are available as single or double.

### Technical Information

- Conforms to BS 546 :1950.
- Top access terminals making wiring easier and quicker.
- Shutter safety feature.
- Terminal marking present on socket housing for clearer identification.
- Automatic primary switching on insertion of plug.
- All Forbes & Lomax switches and sockets require British standard 35mm deep flush wall boxes but recommend 47mm for ease of installation.

### Available in the following ranges:

Painted  
 Invisible  
 Aged Brass  
 Antique Bronze  
 Unlacquered Brass

Brushed Brass  
 Nickel Silver  
 Stainless Steel  
 Verdigris

### Inserts:

Black  
 White



Single 2amp in Verdigris  
 Single 5amp in Painted

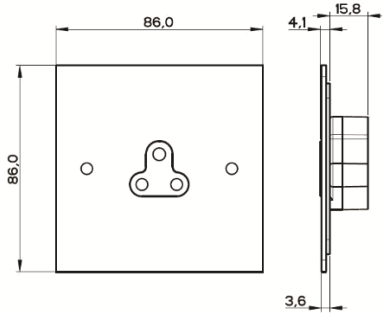
Double 2amp in Unlacquered Brass  
 Double 5amp in Antique Bronze

Single 5amp in Nickel Silver  
 Single 5amp in Invisible



205A St John's Hill, London, SW11 1TH  
 +44 (0) 20 7738 0202 | [sales@forbesandlomag.com](mailto:sales@forbesandlomag.com) | [www.forbesandlomag.com](http://www.forbesandlomag.com)

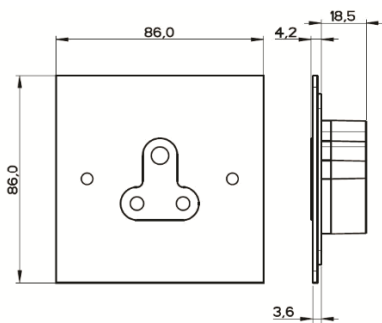
Technical Specification



**2amp Round Pin Socket**

**Depth:**  
 2amp Socket – 16mm

**Recommended Box Depth:**  
 2amp Round Pin Socket – 35mm Box,  
 47mm recommended



**5amp Round Pin Socket**

**Depth:**  
 5amp Socket – 19mm

**Recommended Box Depth:**  
 5amp Round Pin Socket – 35mm Box,  
 47mm recommended

| Technical Specification        |                        |                        |
|--------------------------------|------------------------|------------------------|
| Supply Voltage:                | 250V AC                | 250V AC                |
| Terminal Capacities            | 2 AMP Socket           | 5 AMP Socket           |
|                                | Live, Neutral & Earth  | Live, Neutral & Earth  |
|                                | 1 x 2.5mm <sup>2</sup> | 1 x 2.5mm <sup>2</sup> |
|                                | 2 x 2.0mm <sup>2</sup> | 2 x 2.0mm <sup>2</sup> |
|                                | 2 x 1.5mm <sup>2</sup> | 2 x 1.5mm <sup>2</sup> |
|                                | 4 x 1.0mm <sup>2</sup> | 4 x 1.0mm <sup>2</sup> |
| Ambient Operating Temperature: | -5°C to +40°C          | -5°C to +40°C          |
| IP Rating:                     | IP2XD                  | IP2XD                  |
| Max Installation Altitude:     | 2000 meters            | 2000 meters            |

Plate Dimensions

