



205A St John's Hill, London, SW11 1TH  
+44 (0) 20 7738 0202 | [sales@forbesandlomax.com](mailto:sales@forbesandlomax.com) | [www.forbesandlomax.com](http://www.forbesandlomax.com)

---

### Instructions for Electricians

When installing Forbes & Lomax light switches and sockets we recommend you follow the instructions below:

1. Remove the light switch from the box and unscrew the fixing ring around the switch using the white plastic spanner provided. (See sketch overleaf). For rocker switches and sockets unscrew the two screws.
2. Remove the faceplate and place each one in separate plastic bags to prevent damage.
3. Take great care with all metal plates. They are very delicate and can easily be damaged by scratching, paint, damp plaster and other building site debris.
4. To avoid unnecessary damage, switch and socket plates should be fitted after electrical and decorative work is complete.
5. Install switches in the normal way. The standard 'Invisible' dolly switches and dimmers are supplied with a thin, primed aluminium inner plate. The inner plate can be painted to match the walls or used as a template to cut out a piece of wallpaper to fit behind the invisible plate. Place the inner plate, or wallpaper over the switch and re-fit the invisible plate. Alternatively, give the plates, inner plates, rings and screws to the decorators for safekeeping.
6. Do not tighten the screws too much on the 'Invisible' sockets. 'Invisible' socket plates have to be made in a slightly thinner acrylic than the switch plates to enable them to securely take a plug. Unfortunately this means that the corners of the plates can be prone to bow outwards slightly.
7. Do not fix plates to damp walls.

N.B. For stud wall boxes it is essential to sink the lip 1mm into the plaster around the box. The coloured plastic 'wings' should be fixed to the underside of the plasterboard with a strong masonry adhesive.



205A St John's Hill, London, SW11 1TH  
+44 (0) 20 7738 0202 | [sales@forbesandlomax.com](mailto:sales@forbesandlomax.com) | [www.forbesandlomax.com](http://www.forbesandlomax.com)

---

### Instructions for Decorators

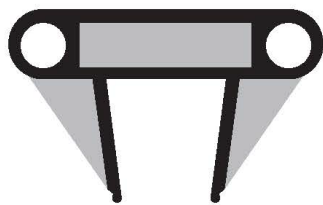
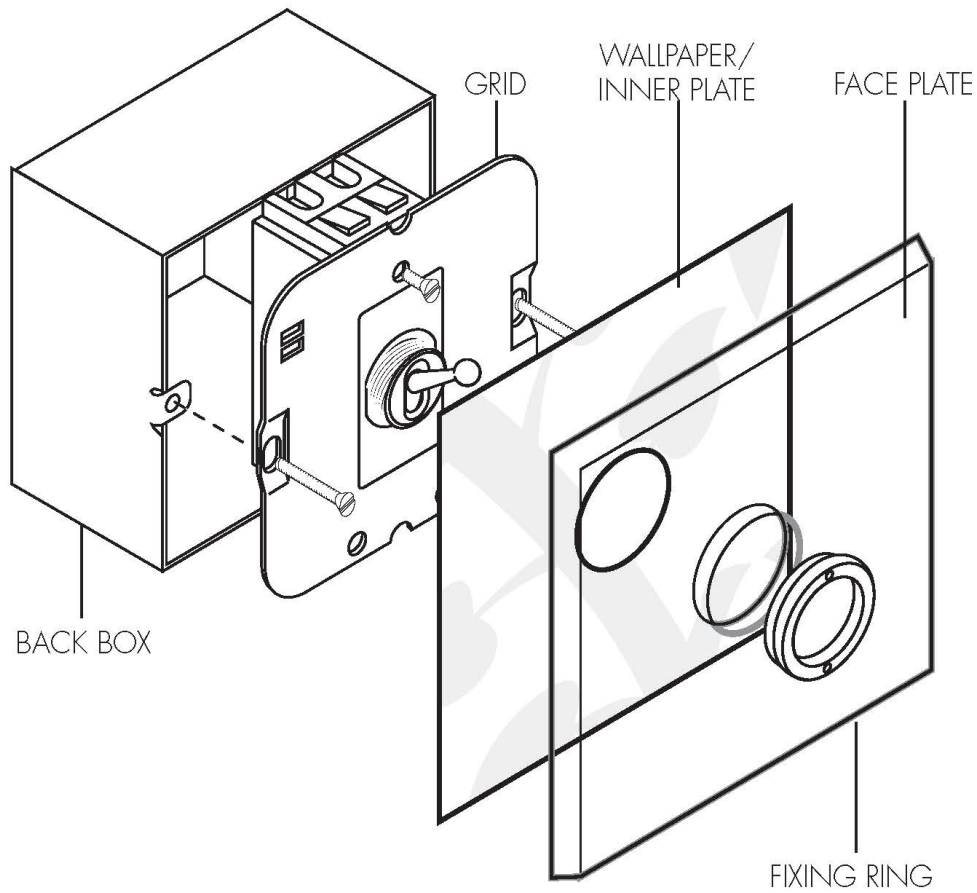
When installing Forbes & Lomax light switches and sockets we recommend you follow the instructions below:

1. If the face plates are already fixed to the switches, remove them by unscrewing the fixing ring using the white plastic spanner provided. (See sketch overleaf).
2. The standard 'Invisible' dolly switches and dimmers are supplied with a thin, primed aluminium inner plate. The inner plate or the card can be painted to match the walls or used as a template to cut out a piece of wallpaper to fit behind the invisible plate. Place the inner plate or wallpaper over the switch and re-fit the invisible plate.
3. When using the 'Painted' range of sockets, the primed metal socket plate should be painted separately and then fixed to the socket outlet in the wall when dry. The screws can then be touched in. If a specialist glaze paint is being used it is important to undercoat the sockets in the same colour as the walls.
4. Take great care with all metal plates. They are very delicate and can easily be damaged by scratching, paint, damp plaster and other building site debris.
5. To avoid unnecessary damage, switch and socket plates should be fitted after electrical and decorative work is complete.
6. Do not tighten the screws too much on the 'Invisible' sockets. 'Invisible' socket plates have to be made in a slightly thinner acrylic than the switch plates to enable them to securely take a plug. Unfortunately this means that the corners of the plates can be prone to bow outwards slightly.
7. Do not polyfill, paint or paper over the metal grid or white plastic on the sockets in case it is necessary to access the switch at a later date.
8. Do not fix plates to damp walls.



205A St John's Hill, London, SW11 1TH  
 +44 (0) 20 7738 0202 | [sales@forbesandlomag.com](mailto:sales@forbesandlomag.com) | [www.forbesandlomag.com](http://www.forbesandlomag.com)

Assembly of The Invisible Lightswitch®



Plastic spanner supplied