



205A St John's Hill, London, SW11 1TH  
 +44 (0) 20 7738 0202 | [sales@forbesandlomax.com](mailto:sales@forbesandlomax.com) | [www.forbesandlomax.com](http://www.forbesandlomax.com)

### The Dolly Switch

On/Off Switches are available in 2way, Intermediate and double pole.

Retractive dolly switches can be used as dimmer controllers when connected to a dimmer pack or dimming system. 2way and off switches can be used to operate blinds.

Dolly switches can be mixed with Button Dimmer Controllers on the same plate and can be combined with rotary dimmers. All dolly modules are made from brass and finished to either complement or match the cover plate.

### Technical Information

- Dolly Switch Conforms to BS EN 60669 - 1: 2018 when assembled to appropriate plate and grid and installed correctly. All products clearly printed with BS No's and ratings.
- Solid brass dolly, with positive switch action.
- All dolly modules screw to appropriate grids.
- All Forbes & Lomax switches and sockets require British standard 35mm deep flush wall boxes but recommend 47mm for ease of installation.

### Available in the following ranges:

The Invisible Lightswitch®  
 Aged Brass  
 Antique Bronze  
 Unlacquered Brass

Brushed Brass  
 Nickel Silver  
 Stainless Steel  
 Verdigris



Verdigris  
Unlacquered Brass

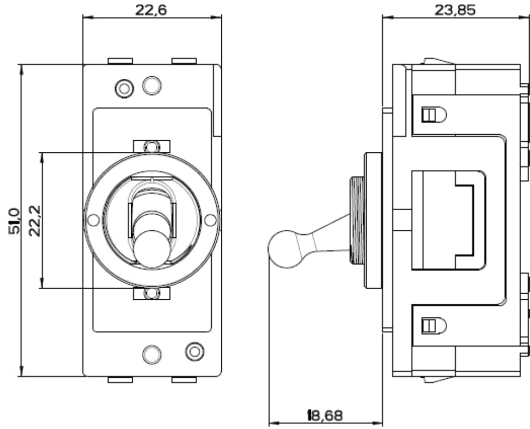
Invisible  
Stainless Steel

Antique Bronze  
Nickel Silver



205A St John's Hill, London, SW11 1TH  
 +44 (0) 20 7738 0202 | [sales@forbesandlomax.com](mailto:sales@forbesandlomax.com) | [www.forbesandlomax.com](http://www.forbesandlomax.com)

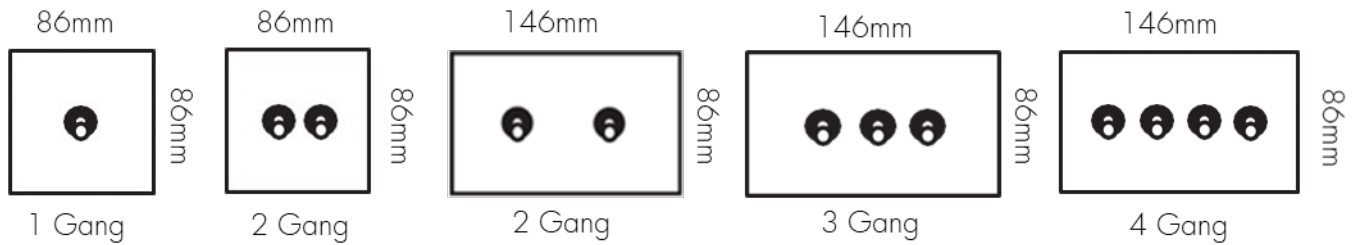
Technical Specifications



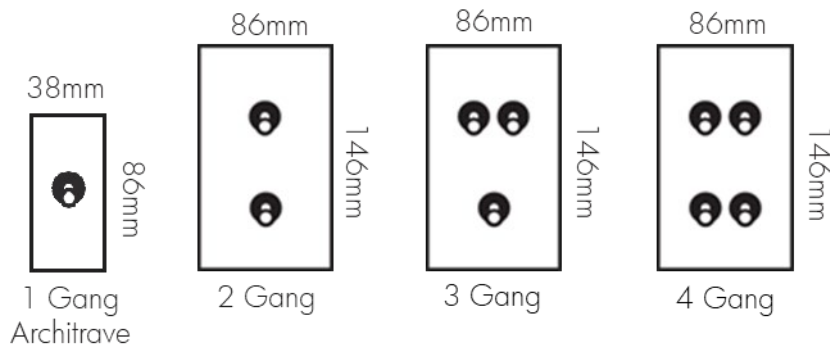
Technical Specification	
Voltage Rating:	250V AC, 50Hz
Current Rating:	20AX
Operating Temperature:	-5°C to +40°C
IP Rating:	IP2XD
Max Installation Altitude:	2000 meters
No. of Operations:	10,000 (20AX Rating)
Terminal Capacities:	4 x 1mm <sup>2</sup> (Flex)
	4 x 1.5mm <sup>2</sup> (Solid)
	3 x 2.5mm <sup>2</sup> (Solid)
	2 x 4mm <sup>2</sup> (Solid)
	1 x 6mm <sup>2</sup> (Solid)

Plate Dimensions

Horizontal Configurations



Vertical Configurations



Larger plates are available upon request. Please contact our sales team for further information.