



205A St John's Hill, London, SW11 1TH  
 +44 (0) 20 7738 0202 | [sales@forbesandlomax.com](mailto:sales@forbesandlomax.com) | [www.forbesandlomax.com](http://www.forbesandlomax.com)

### The Rocker Switch

Rocker switches are available in 2-way, Intermediate, Double Pole, Retractive, Centre-Off Retractive. Centre-off and Retractive switches can be used as dimmer controllers when connected to a dimmer pack or dimming system and can also be used to operate blinds.

### Technical Information

- The Rocker Switch Conforms to BS EN 60669 - 1: 2018 when assembled to appropriate plate and grid and installed correctly.
- Two way switches can be wired one way or two way.
- Rockers are made from Solid brass, Aluminium or black and white plastic, which is finished to complement or match cover plates.
- All modules clearly printed with BS No's and ratings.
- 3mm switch contact gap.
- Positive switch action.
- All Forbes & Lomax switches and sockets require British standard 35mm deep flush wall boxes but recommend 47mm for ease of installation.

#### Available in the following ranges:

The Invisible Lightswitch®	Brushed Brass*
Aged Brass	Nickel Silver
Antique Bronze*	Stainless Steel
Unlacquered Brass	Verdigris

#### Rockers:

Antique Bronze  
 Unlacquered Brass  
 Nickel Silver  
 Stainless Steel

#### Trim:

Black  
 White

\*Available with black inserts only



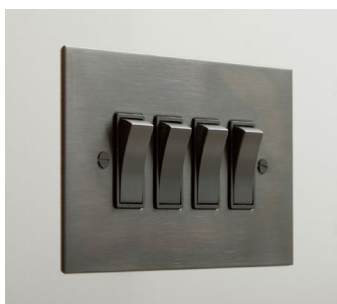
Unlacquered Brass  
Invisible



Stainless Steel  
Antique Bronze



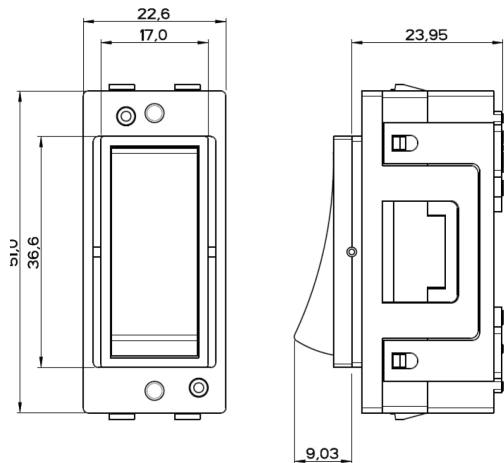
Nickel Silver  
Aged Brass





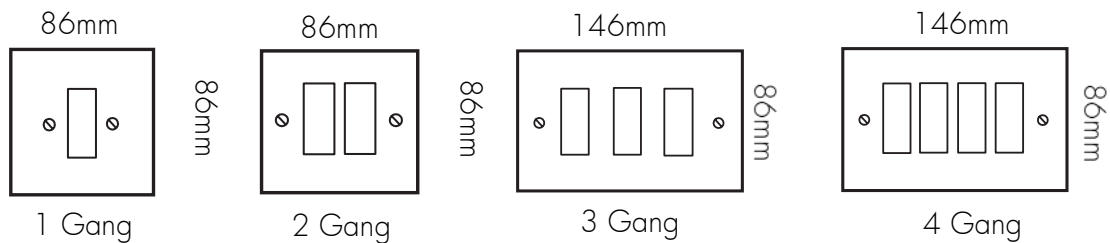
205A St John's Hill, London, SW11 1TH  
 +44 (0) 20 7738 0202 | [sales@forbesandlomax.com](mailto:sales@forbesandlomax.com) | [www.forbesandlomax.com](http://www.forbesandlomax.com)

Technical Specifications



Technical Specification	
Voltage Rating:	250V AC, 50Hz
Current Rating:	20amp Retractive and Centre-off Retractive 6amp
Terminal Capacities:	4 x 1mm <sup>2</sup> 4 x 1.5mm <sup>2</sup> 3 x 2.5mm <sup>2</sup> 2 x 4mm <sup>2</sup> 1 x 6mm <sup>2</sup>
Operating Temperature:	-5°C to +40°C
IP Rating:	IP2XD
Max Installation Altitude:	2000 meters
No. of Operations:	10,000 (20AX Rating) 40,000 (6AX Rating)

Plate Dimensions



Larger plates are available upon request. Please contact our sales team for further information.